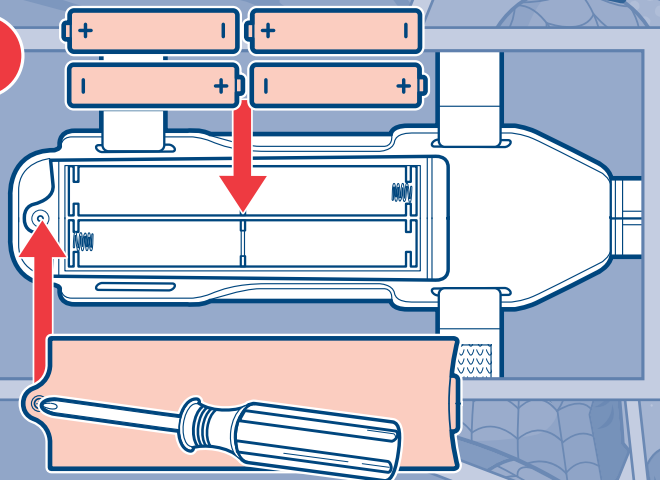


# SPIDER-MAN™

AGES  
**5+**

24411

**1**



**x4**  
1.5V AA  
LR6 size

**ALKALINE  
BATTERIES  
REQUIRED  
NOT INCLUDED**

Phillips/cross head  
screwdriver  
(not included)  
needed to insert  
batteries.

## TO INSERT BATTERIES:

USE A PHILLIPS/CROSS HEAD SCREWDRIVER (NOT INCLUDED) TO LOOSEN SCREW IN BATTERY COMPARTMENT DOOR (SCREW REMAINS ATTACHED TO DOOR). REMOVE DOOR, INSERT 4 X 1.5V "AA" OR LR6 SIZE ALKALINE BATTERIES. REPLACE DOOR AND TIGHTEN SCREW.



**CAUTION:** Do not aim at eyes or face.

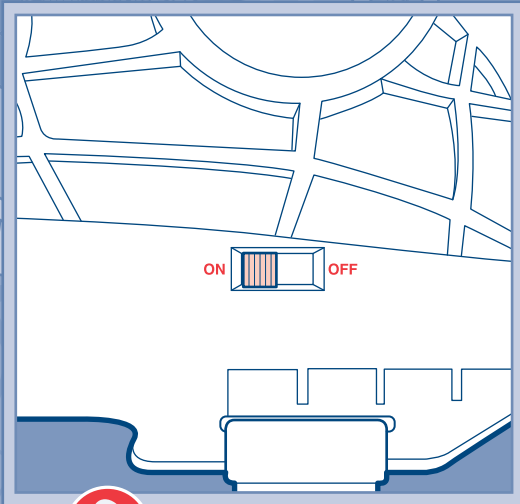
**TO AVOID INJURY:** Use only strings designed for this product. Do not modify strings or shooter.

## IMPORTANT: BATTERY INFORMATION



### CAUTION:

1. Always follow the instructions carefully. Use only batteries specified and be sure to insert them correctly by matching the + and - polarity markings.
2. Do not mix old batteries and new batteries or standard (carbon-zinc) with alkaline batteries.
3. Remove exhausted or dead batteries from the product.
4. Remove batteries if product is not to be played with for a long time.
5. Do not short-circuit the supply terminals.
6. Should this product cause, or be affected by, local electrical interference, move it away from other electrical equipment. Reset (switching off and back on again or removing and re-inserting batteries) if necessary.
7. **RECHARGEABLE BATTERIES:** Do not mix these with any other types of batteries. Always remove from the product before recharging. Recharge batteries under adult supervision. **DO NOT RECHARGE OTHER TYPES OF BATTERIES.**

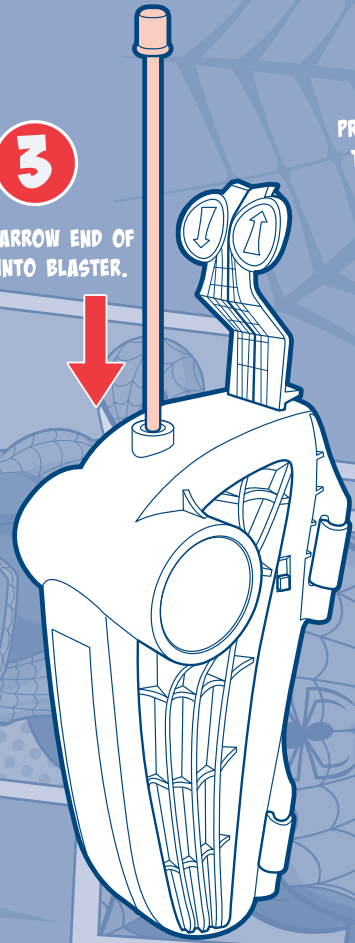


**2**

MOVE SWITCH TO "ON."

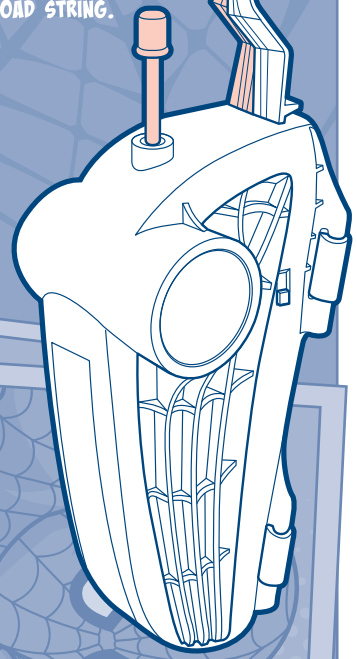
**3**

INSERT NARROW END OF STRING INTO BLASTER.



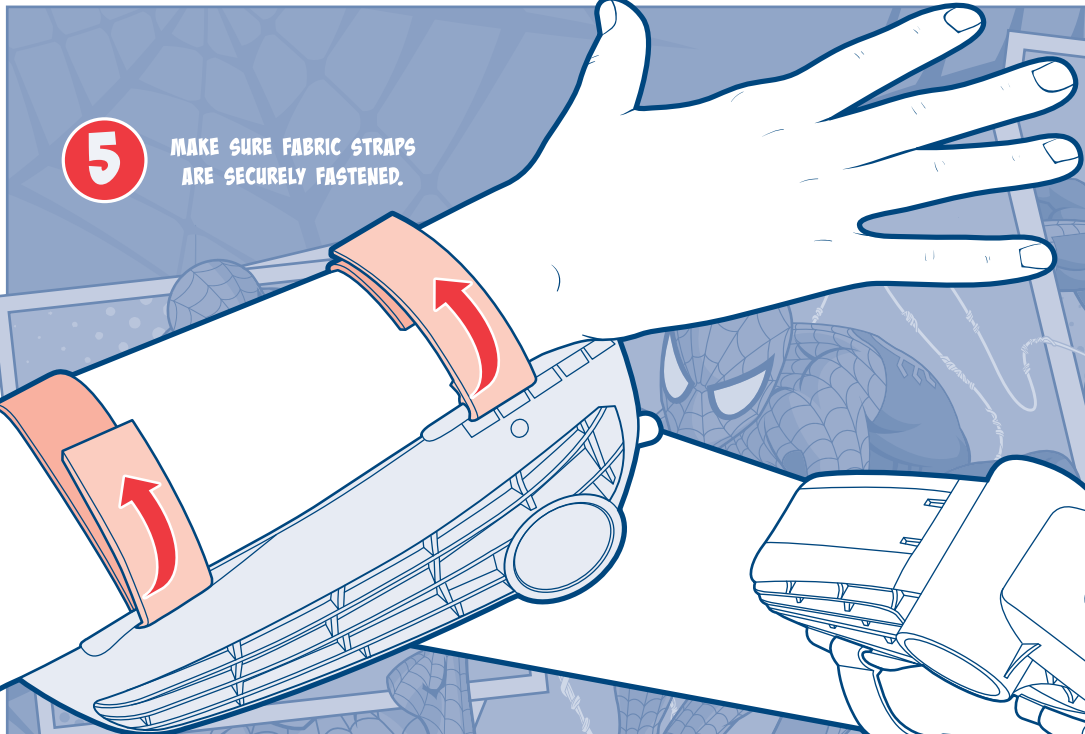
**4**

PRESS THIS TRIGGER TO LOAD STRING.



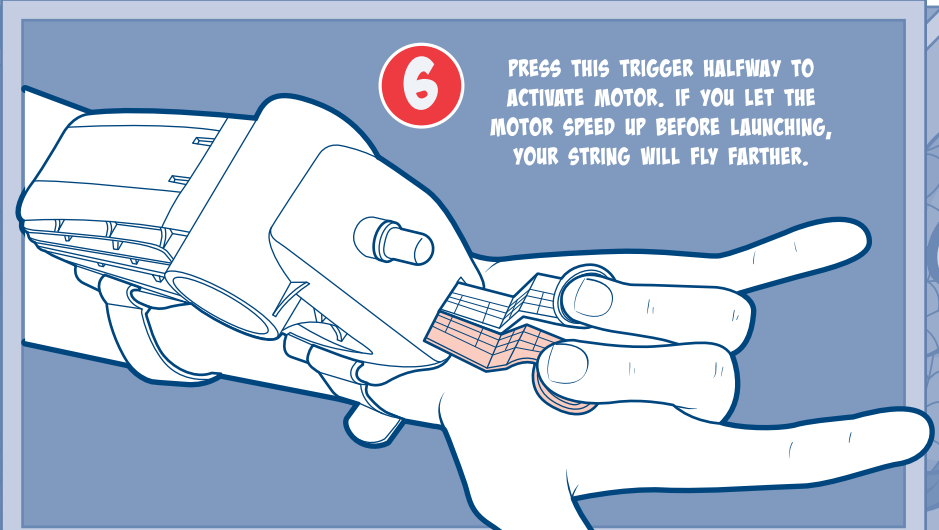
5

MAKE SURE FABRIC STRAPS ARE SECURELY FASTENED.



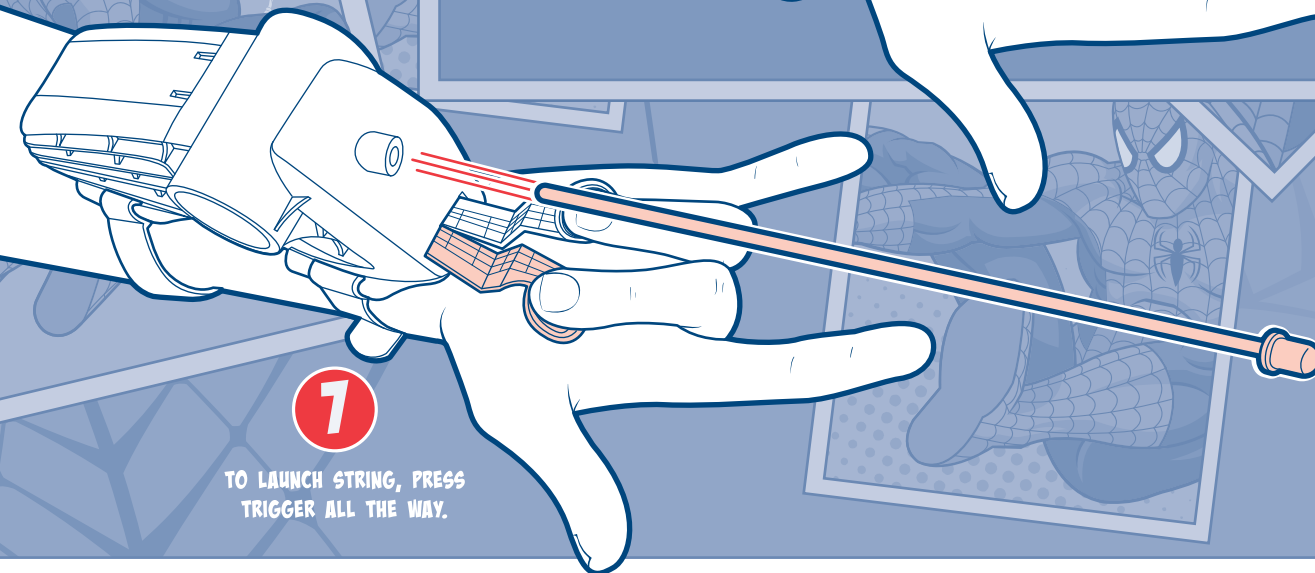
6

PRESS THIS TRIGGER HALFWAY TO ACTIVATE MOTOR. IF YOU LET THE MOTOR SPEED UP BEFORE LAUNCHING, YOUR STRING WILL FLY FARTHER.

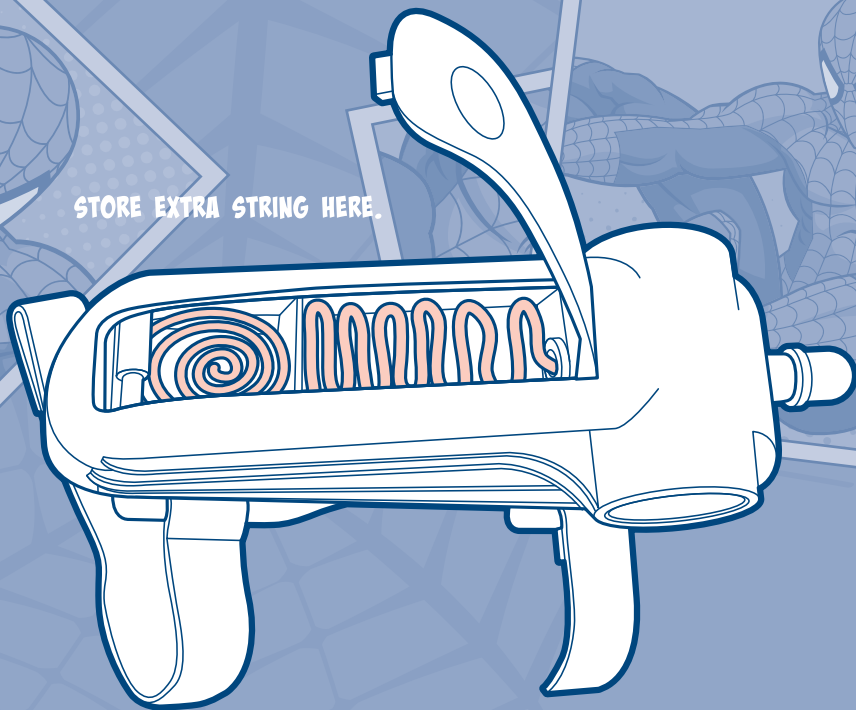


7

TO LAUNCH STRING, PRESS TRIGGER ALL THE WAY.



STORE EXTRA STRING HERE.



Product and colors may vary.  
MARVEL, all related characters: TM & © 2010 Marvel Entertainment, LLC and its subsidiaries.  
Licensed by Marvel Characters, B.V. All rights reserved. [www.marvel.com](http://www.marvel.com).  
©\* and/or TM\* & © 2010 Hasbro, All Rights Reserved.  
TM & © denote U.S. Trademarks. PN: 7145250001

